

SMF Professional Marine starting

SM31P-1000 (110Ah - 1000Amp)



DATA SHEET

CHARACTERISTICS



Item	Specifications	
Nominal Voltage	12V	
Nominal Capacity (20Hr)	110Ah	
SAE CCA (Cold Cranking Ampere)	1000A	
Dimension	Length	330mm
	Width	172mm
	Container Height	217mm
	Total Height (with Terminal)	238mm
Approximate Weight	Approx 25.3kg	
Terminal Shape	TYPE A according to SAE standard	
Terminal Layout	Layout 18	
Container Material	PP (polypropylene)	
Nominal Operating Temp. Range	25±3°C (77±5°F)	
Capacity affected by Temperature	40°C (104°F)	105%
	25°C (77°F)	100%
	0°C (32°F)	85%

APPLICATIONS

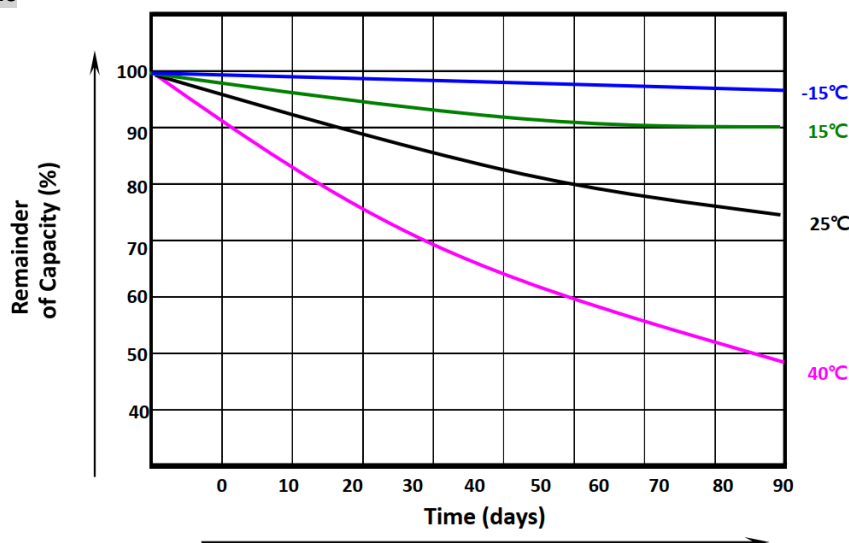
SMF Professional Marine batteries ideal for high starting.

- MARINE and RV
- Engine start

GENERAL FEATURES

- High starting and extra reserve power for accessory loads
- Maintenance free design
- Robust STUD terminal for convenient connection
- Excellent start ability

Self-discharge Characteristic



Test definition (SAE J537-2000)

SAE CCA : The battery shall be discharged at specified SAE the battery voltage reaches 7.2V. The discharge

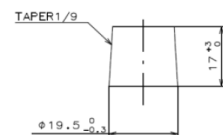
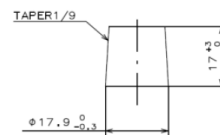
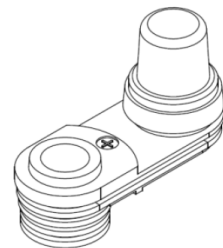
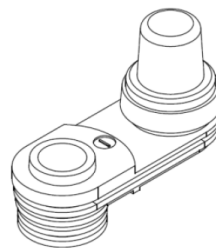
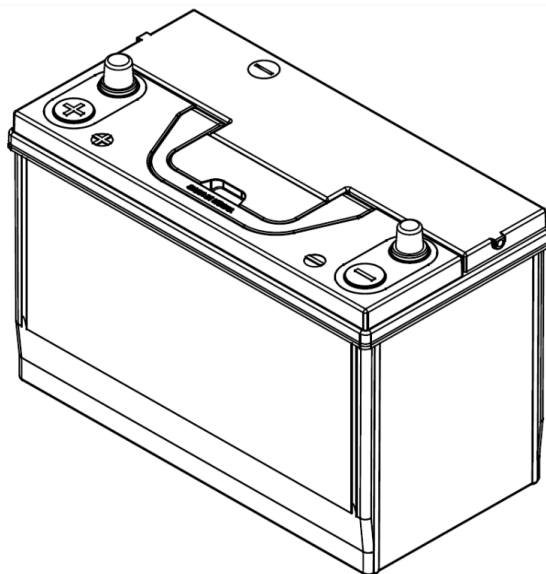
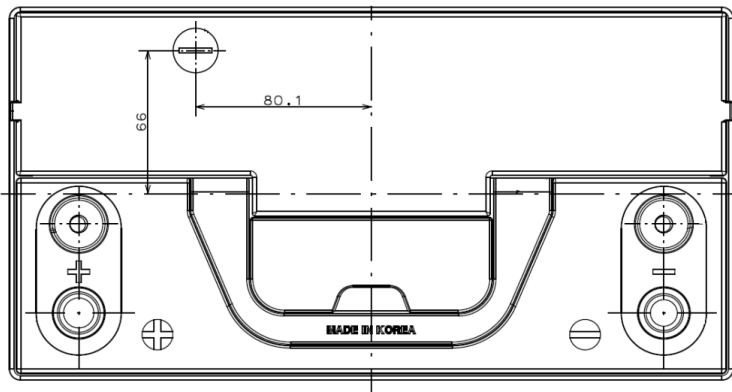
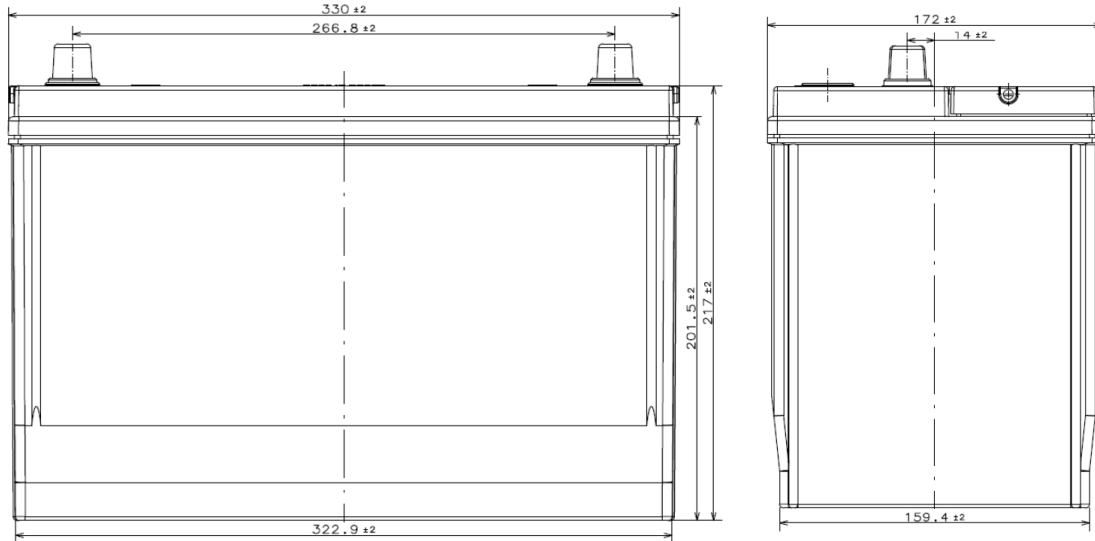
RC : The battery shall be discharged with a current of 25A

The duration (min.) of discharge shall be recorded.

SMF Professional Marine starting
SM31P-1000 (110Ah - 1000Amp)

DATA SHEET

Drawing



NEG TERMINAL

POS TERMINAL